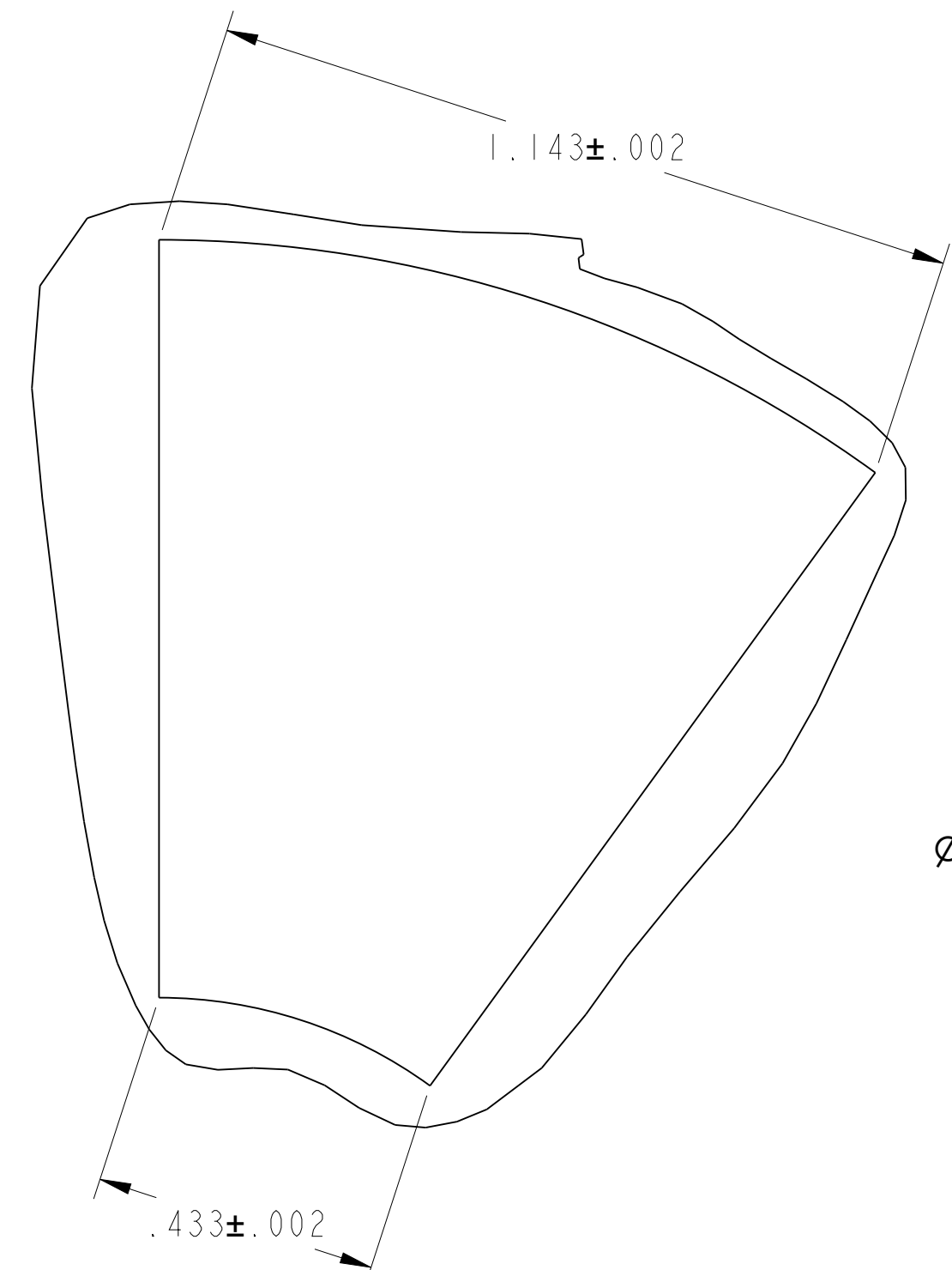
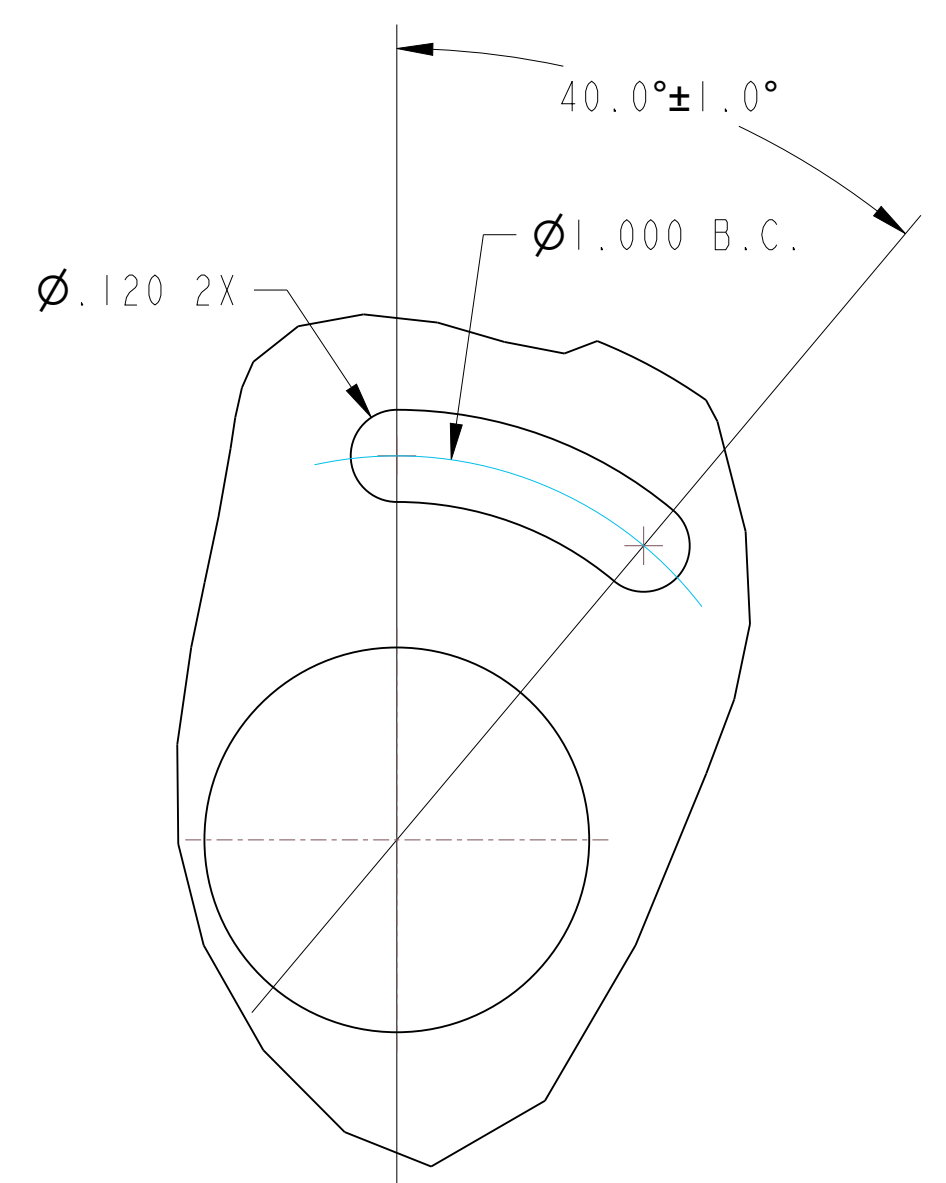
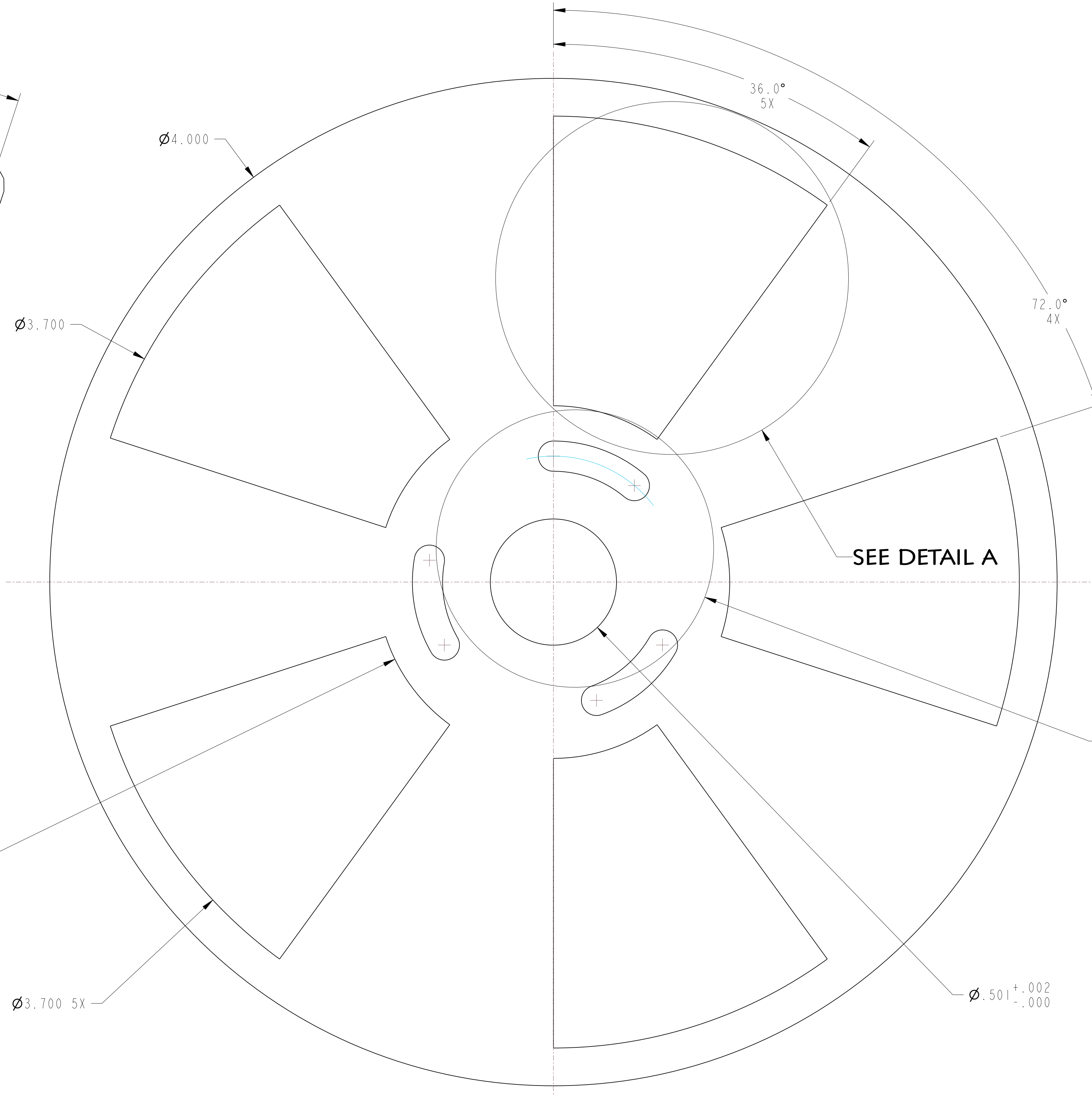


REVISIONS			
REV	DESCRIPTION	DATE	APPROVED



DETAIL A
SCALE 4.000
5 PLACES



DETAIL B
SCALE 4.000
3 EQUAL SPACES

SEE DETAIL A

SEE DETAIL B

NOTES: UNLESS OTHERWISE SPECIFIED

- 1 MATERIAL: STAINLES STEEL COIL 302/304 HALF HARD.
.010 THICK.
- 2 FINISH: BLACK OXIDE.
- 3. REMOVE ALL BURRS AND SHARP EDGES.
- 4. PART MARKING: BAG AND TAG WITH VENDOR ID,
MONTH/YEAR OF MANUFACTURE PART NUMBER AND
CURRENT REVISION LEVEL.

.010

MATERIAL 1	UNLESS OTHERWISE SPECIFIED, DIMENSIONS ARE IN INCHES.	SRS STANFORD RESEARCH SYSTEMS, INC. 1290-D Redwood Avenue, Sunnyvale CA 94089		
		DRAWING TITLE: CHOPPER BLADE, 5 SECTOR ENCODER DISC, SR542		
FINISH 2	TOLERANCES: .X ± .XX ± .XXX ± .005 ANGLE ±	SIZE/PROVE FILENAME: D	SRS PART NO. 7-02891-716	REV A
ENG BY/DATE A BERGER	DO NOT SCALE DRAWING	SCALE: 4.00	SHEET: 1 OF 1	
DWN BY/DATE G.WATERS	NEXT ASSY	USED ON	Jun-04-20	